



INSTALLATION INSTRUCTIONS

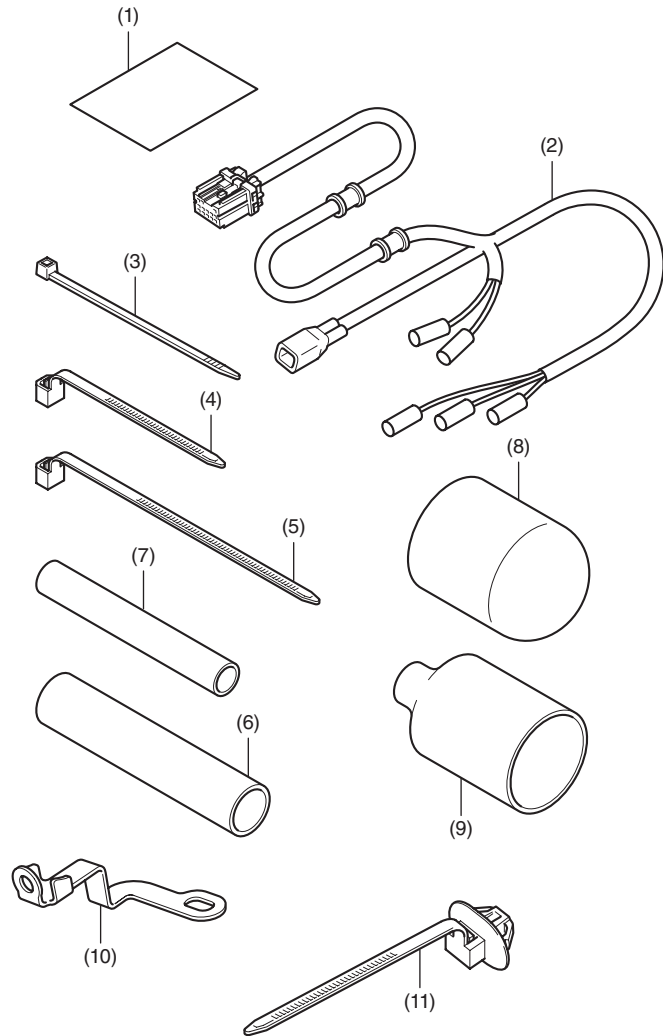
Accessory
GRIP HEATER ATTACHMENT
P/N 08T70-MJW-J40

Application
CB500FA

Publication No.
MII
Issue Date
October 2018

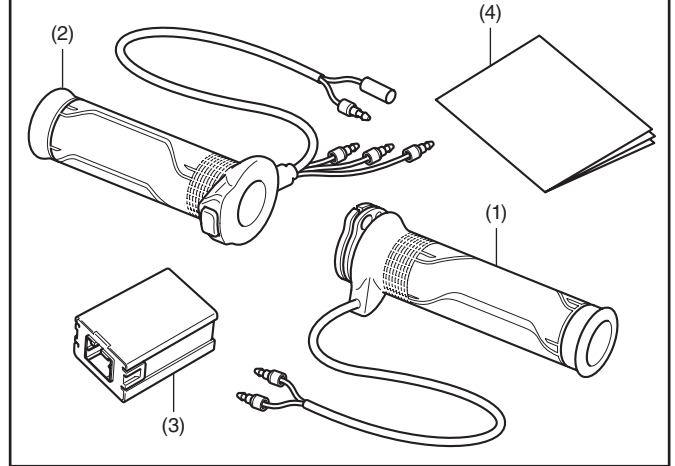
Honda Dealer: Please give a copy of these instructions to your customer.

PARTS LIST



No.	Description	Qty
(1)	URL paper	1
(2)	Grip heater harness	1
(3)	Wire tie (narrow)	6
(4)	Wire tie (wide/short)	3
(5)	Wire tie (wide/long)	1
(6)	Tube (wide)	1
(7)	Tube (narrow)	1
(8)	Boot cover	1
(9)	Harness boot	1
(10)	Clamp	1
(11)	Clip band	1

GRIP HEATER KIT Sold separately



No.	Description	Qty
(1)	Right grip heater	1
(2)	Left grip heater	1
(3)	Controller	1
(4)	Owner's Manual	1

TOOLS AND SUPPLIES REQUIRED

- Nippers
- Scale
- Marker
- Electrical tape
- Scissors
- Honda Bond A
- Grease
- Isopropyl alcohol
- Shop towel

TORQUE CHART

Refer to the Service Manual for the torque values of the removed parts.

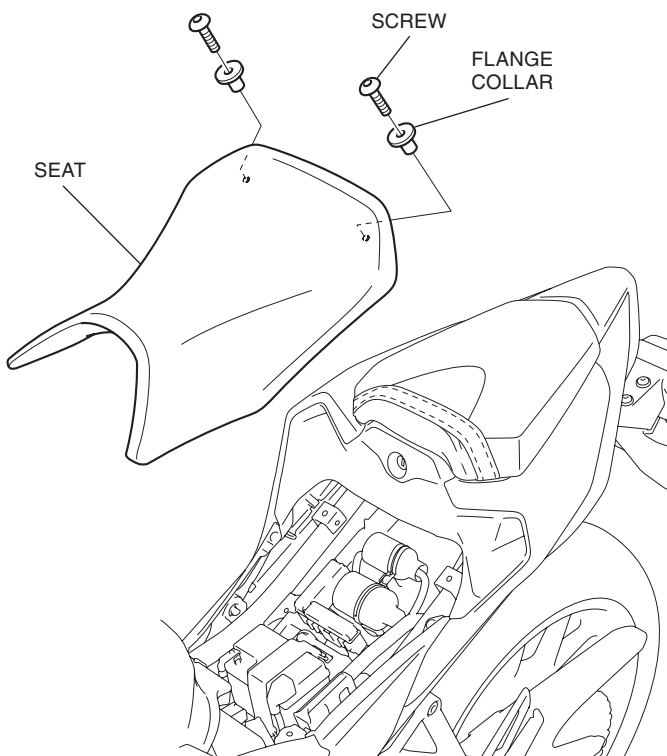
INSTALLATION

⚠ CAUTION

- To prevent burns, allow the engine, exhaust system, radiator, etc., to cool before installing the accessory.

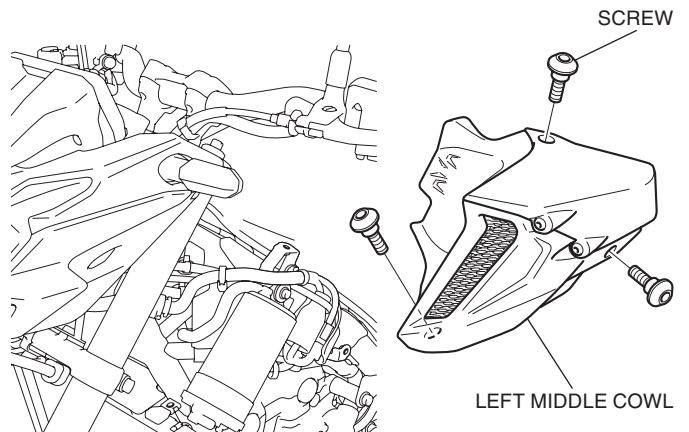
NOTE:

- Disconnect the throttle cable from the right grip as instructed in the motorcycle's Service Manual.
 - For secure adhesion of the grip heaters use the recommended adhesive agent (Honda Bond A) or equivalent.
 - Be sure to open and close the throttle to check for smooth operation after installation of the right grip heater.
 - Disconnect the negative (-) cable from the battery before installing this accessory.
 - The memories of the clock will be erased when you disconnect the battery. Reset the memories after reconnecting the battery.
 - Reinstall the removed parts on the motorcycle and make sure that the wires and harnesses are not pinched.
 - Trim the excess ends off the wire ties after attaching them to the wire harnesses. Do not allow the cut part of the wire tie to interfere with another harness or brake hose.
 - After handle grip heater installation, check the lights (e.g. right / left turn signal lights and brake lights) for proper operation.
1. Remove the seat and disconnect the negative (-) cable of the battery.

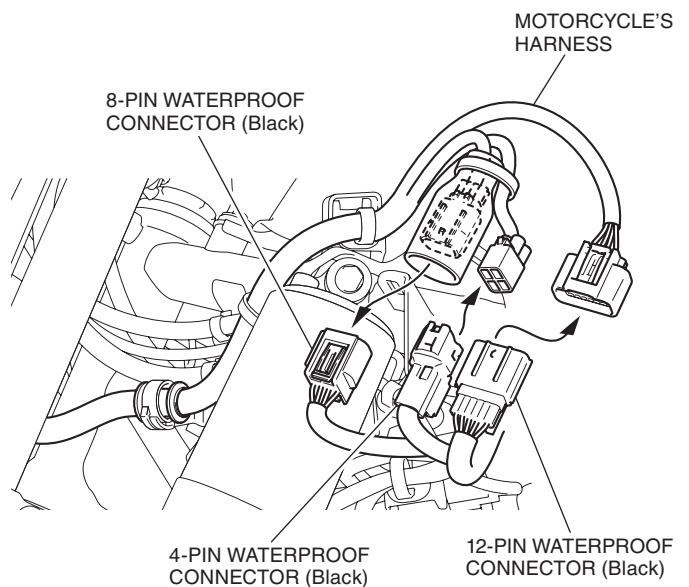


2. Remove the left middle cowl as shown.
- Repeat on the right side.

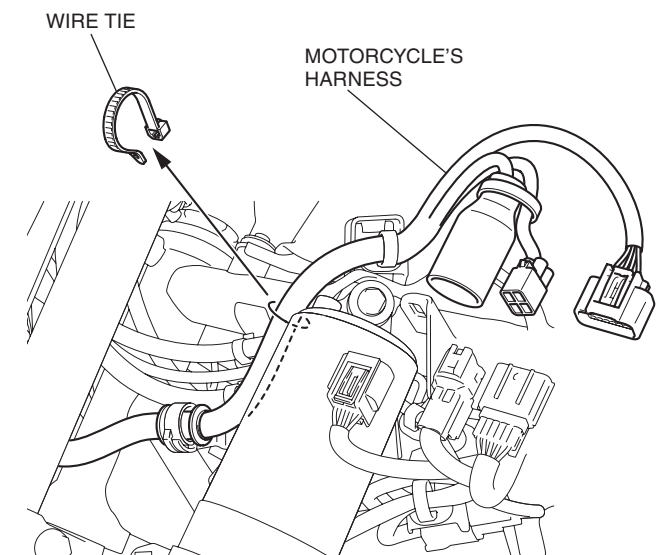
<Left side>



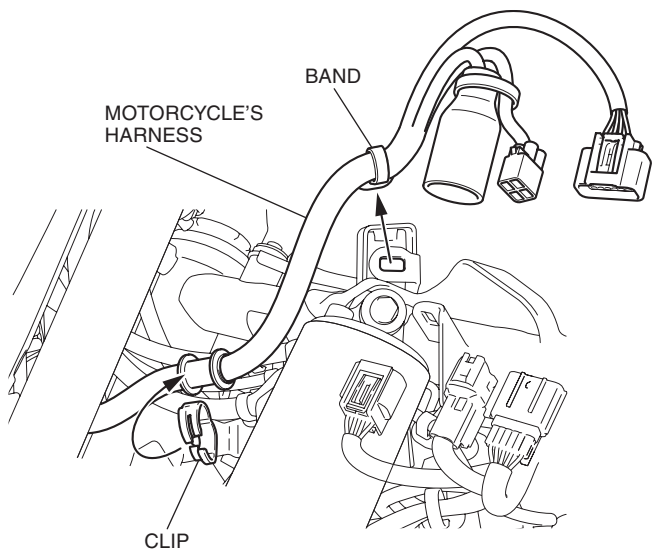
3. Disconnect the connectors as shown.



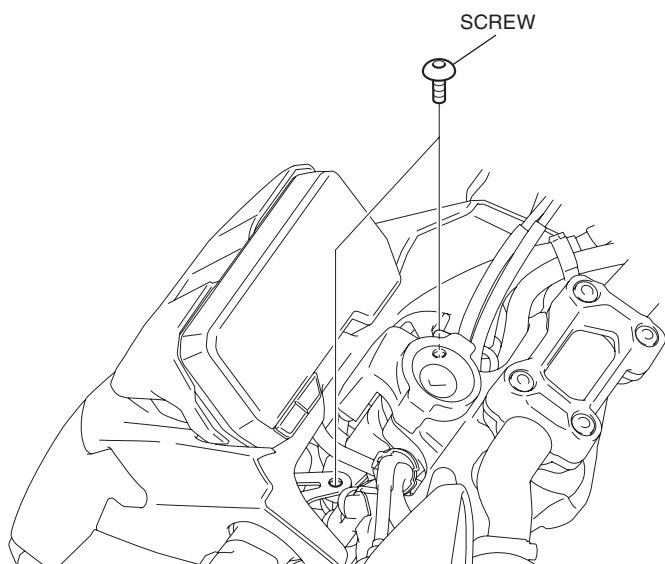
4. Remove the wire tie as shown.



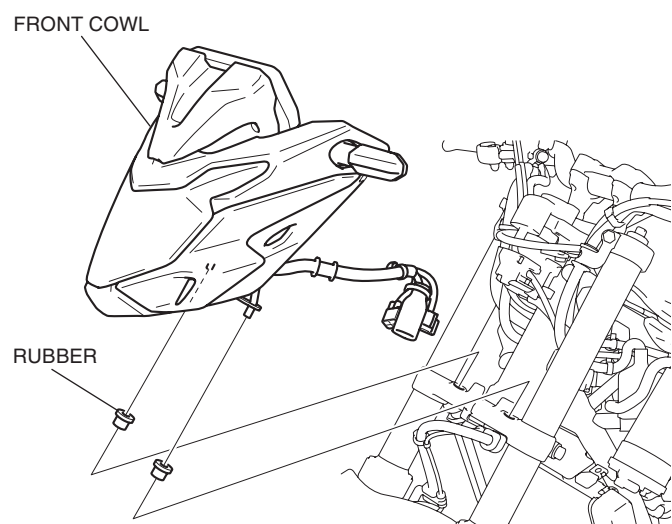
5. Release the clip band and clip as shown.



6. Remove the screws as shown.



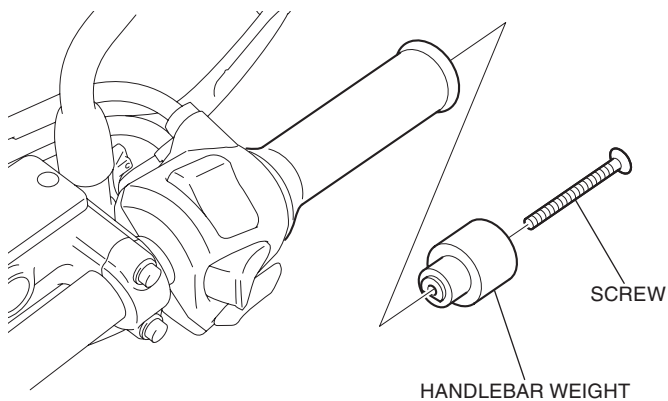
7. Remove the front cowl as shown.



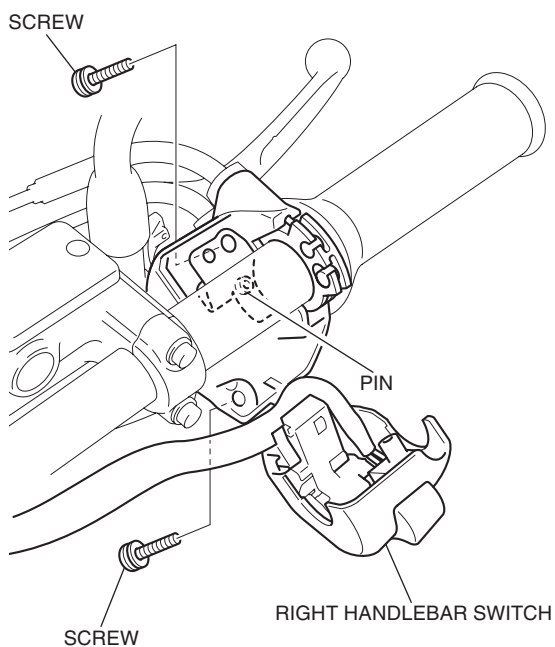
8. Remove the handlebar weight as shown.

- Repeat on the left side.

<Right side>



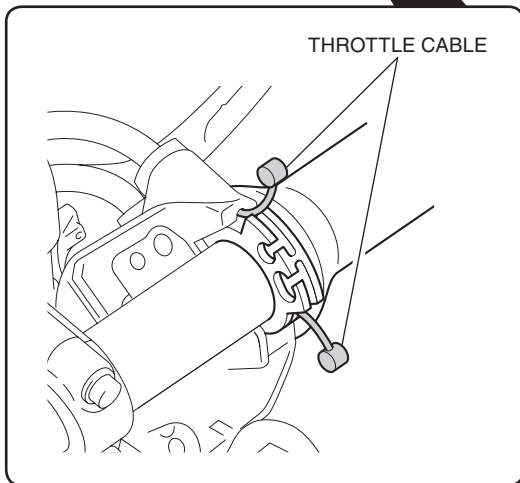
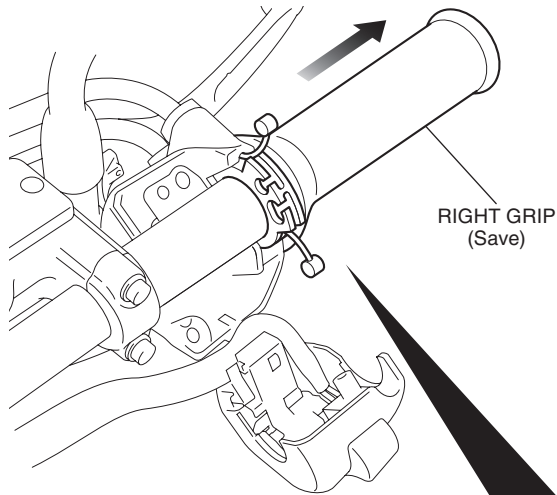
9. Remove the right handlebar switch as shown.



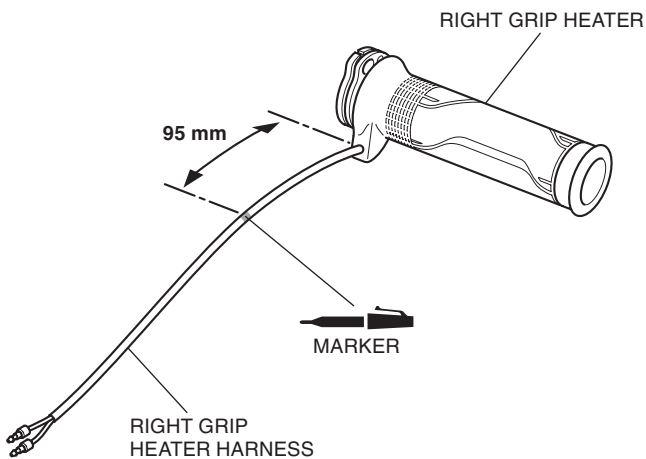
10. Remove the right grip as shown.

NOTE

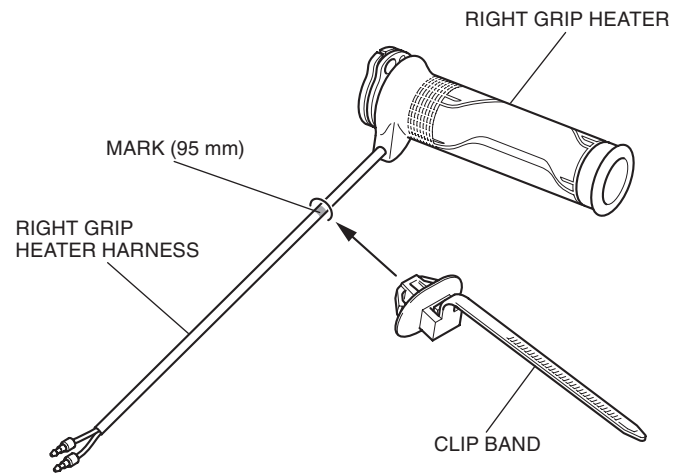
Disconnect the throttle cable from the right grip as instructed in the motorcycle's Service Manual. Do not try to disconnect the cable with force using pliers, etc. Refer to the motorcycle's Service Manual.



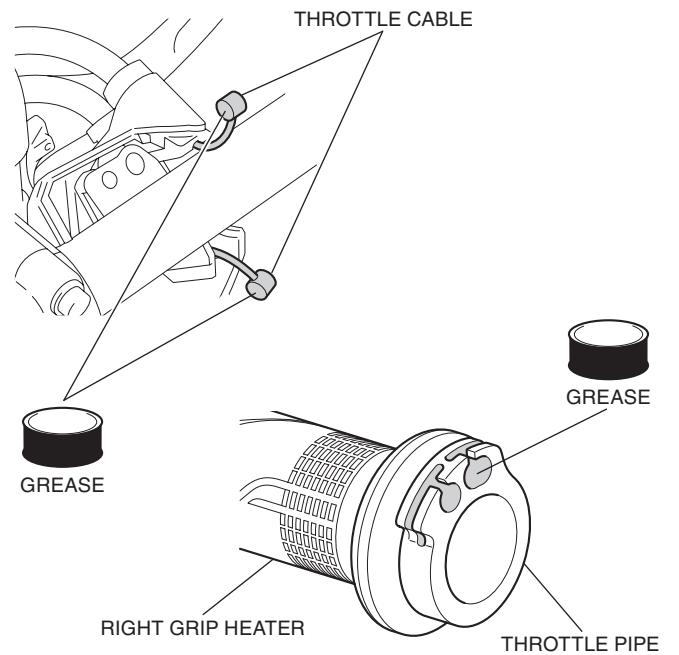
11. Mark the right grip heater harness in the position shown.



12. Install the clip band on the marked position as shown.

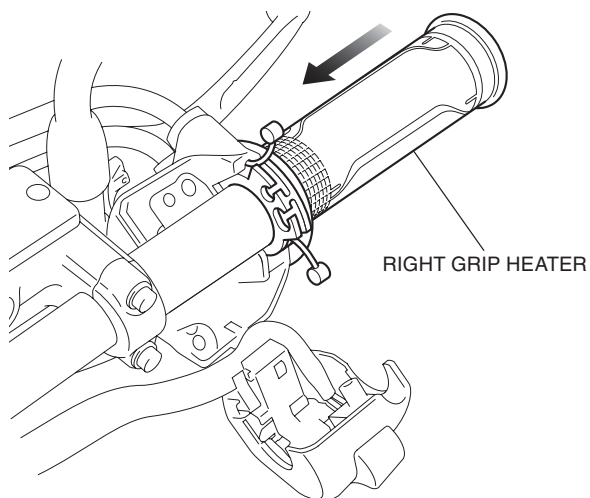


13. Apply grease to the [shaded] parts of the throttle cables and throttle pipe as shown.



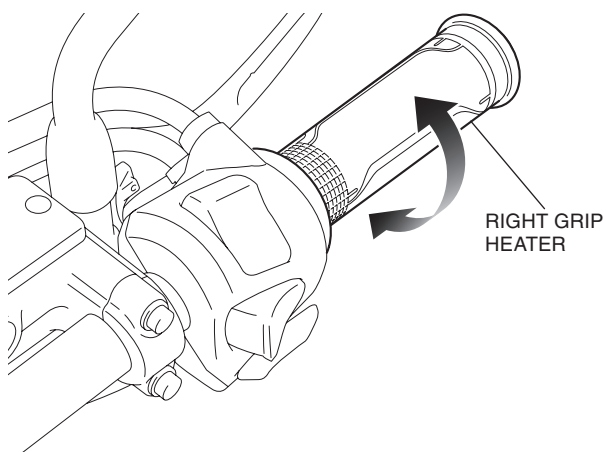
14. Install the right grip heater and handlebar switch in the reverse order of removal.

- **After installation, refer to the Service Manual and adjust the throttle freeplay.**

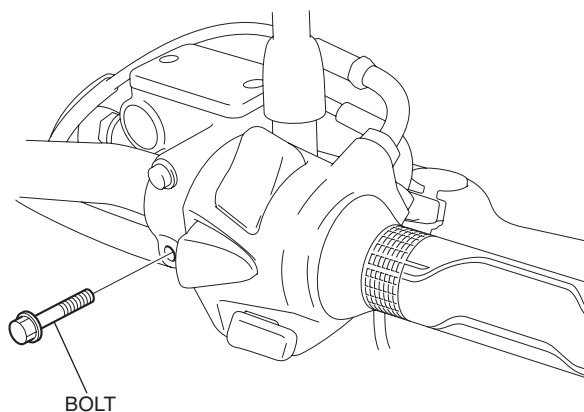


15. Open and close the throttle grip as shown.

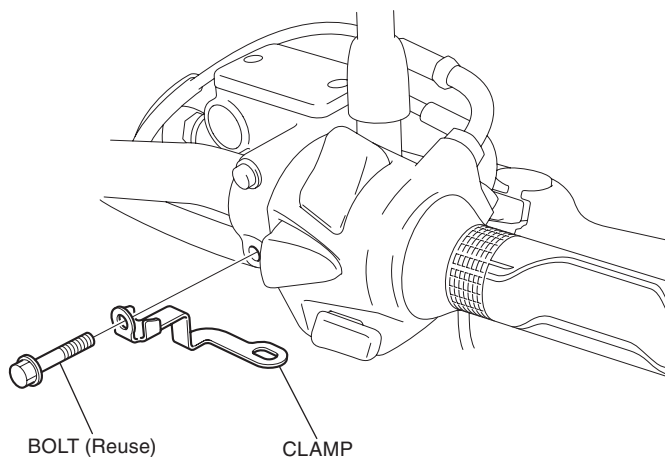
- **Check for smooth opening of the throttle and that it automatically snaps closed from any opening, in all steering positions.**



16. Remove the bolt as shown.



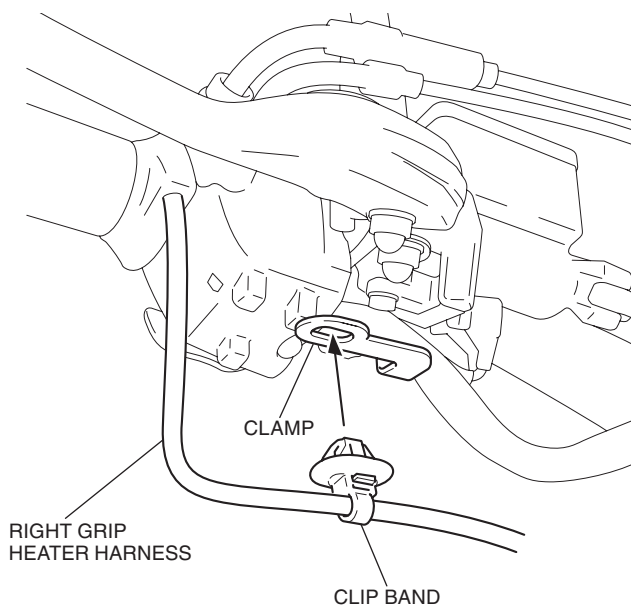
17. Install the clamp as shown.



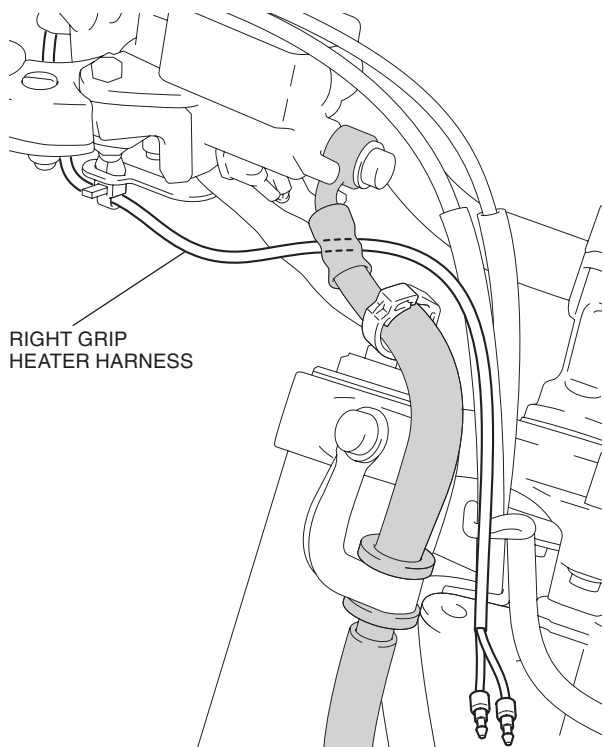
18. Secure the right grip heater harness as shown.

- **Open and close the throttle and confirm that there is no tightness of the grip heater harness.**

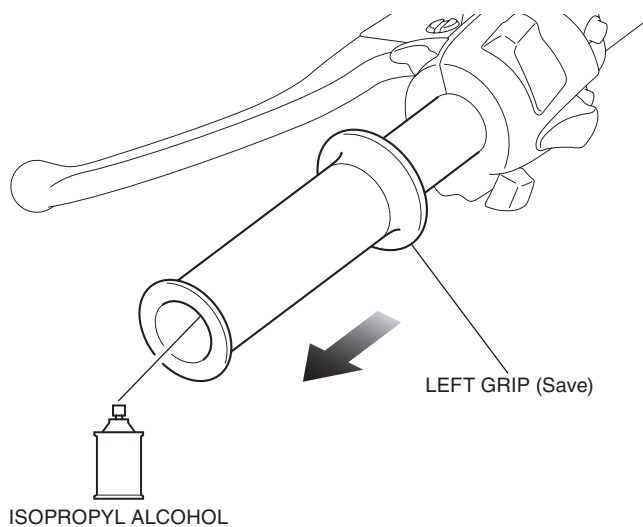
<Right side>



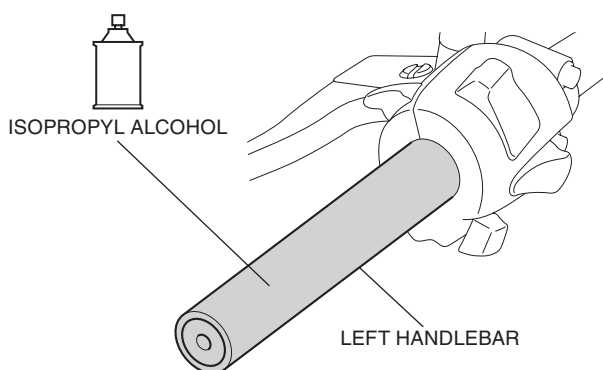
19. Route the right grip heater harness as shown.



20. Remove the left grip as shown.
<Left side>



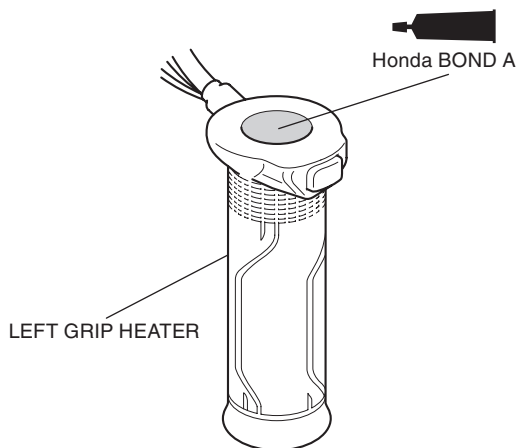
21. Using a isopropyl alcohol, remove all traces of adhesive from the left handlebar.



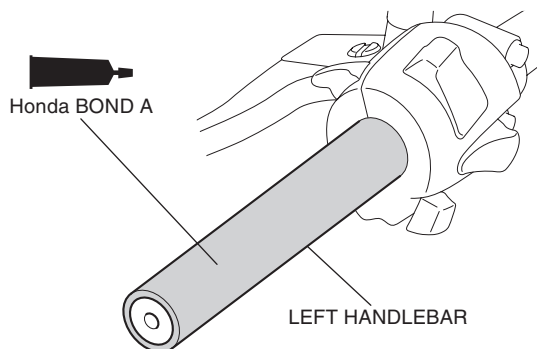
22. Liberally apply Honda Bond A to the inside of the left grip heater as shown.

NOTE

Read the Instructions of the steps 22 through 25 carefully before installation and complete the operation quickly before the adhesive cures. Use an assistant to steady the motorcycle while installing the grip.

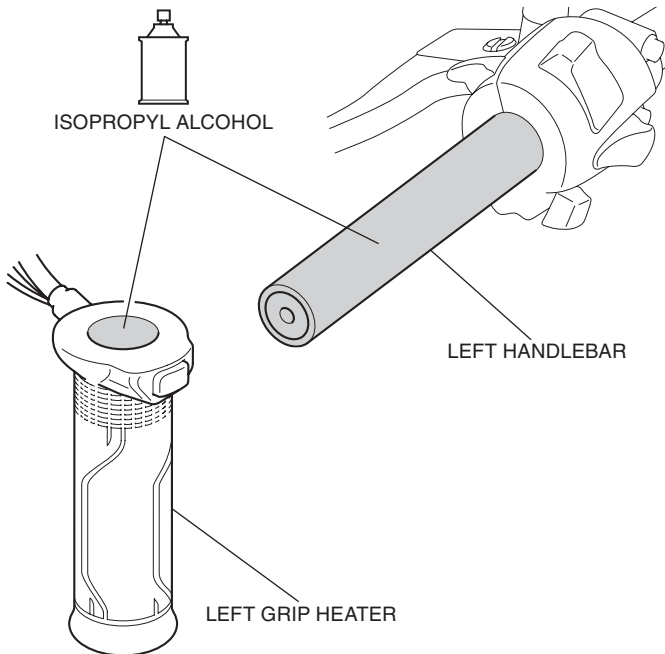


23. Apply Honda Bond A to the left handlebar as shown.



24. Spray isopropyl alcohol over the inside of the left grip heater and outside of the left handlebar.

- **This is done to ease alignment between the grip heater and handlebar.**

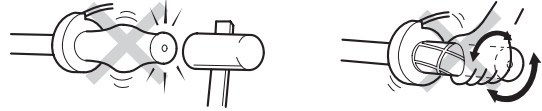


25. Slide the left grip heater onto the left handlebar as indicated.

- **Wipe up excess adhesive at once.**

NOTICE

- Do not tap on the grip end with a hammer and do not twist the grip to install the grip heater onto the handlebar, as it can damage the element.

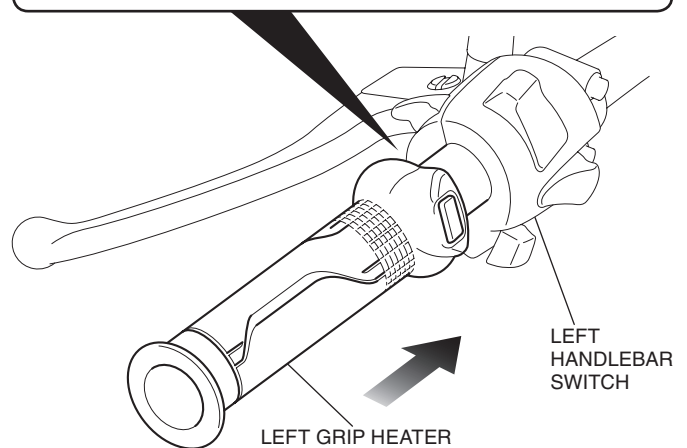
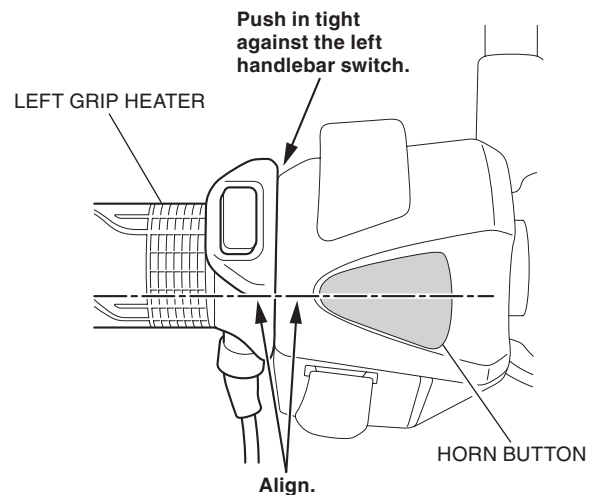


- Avoid putting pressure on the switch part when inserting the left grip heater. There is a possibility that the switch part will break. Also, install so that there is no gap with the switch holder.

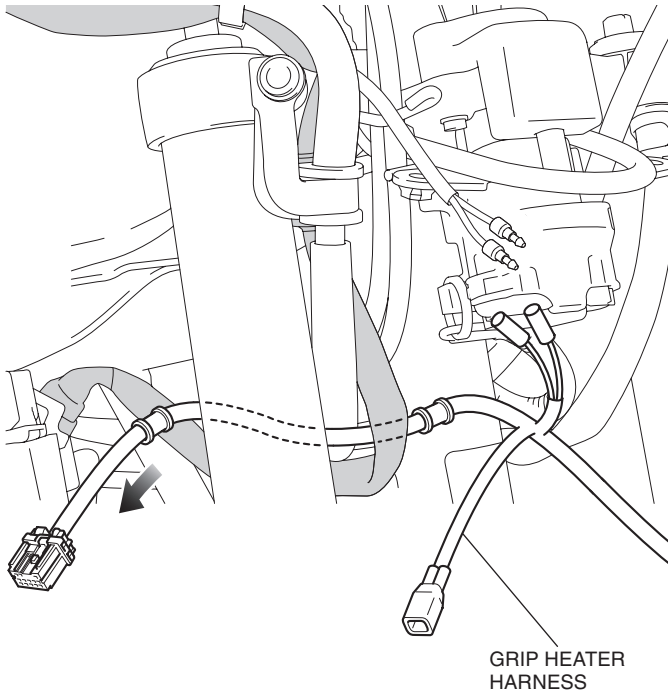


- If the grip gets stuck halfway during installation, apply isopropyl alcohol to the gap between the grip heater. Do not try to remove the grip heater using force or a screwdriver, etc. Damage to the grip heater wire can result.

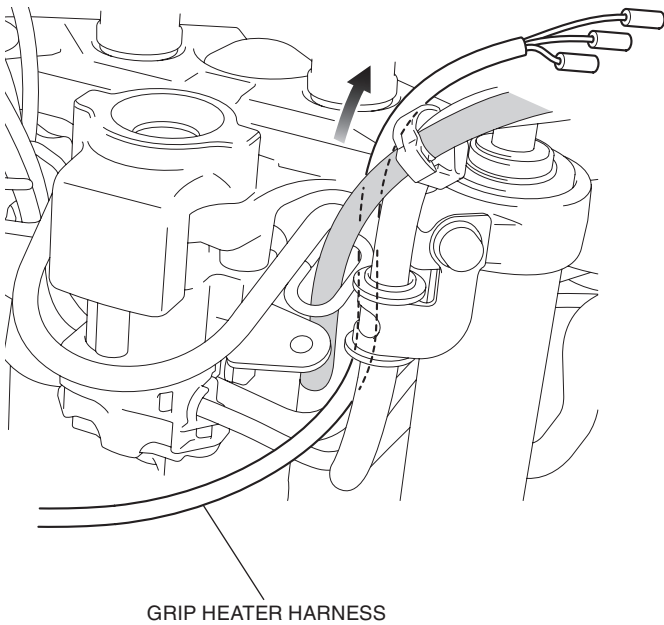
Insert until there is contact with the left handlebar switch, then align with the indicated position.



26. Route the grip heater harness as shown.

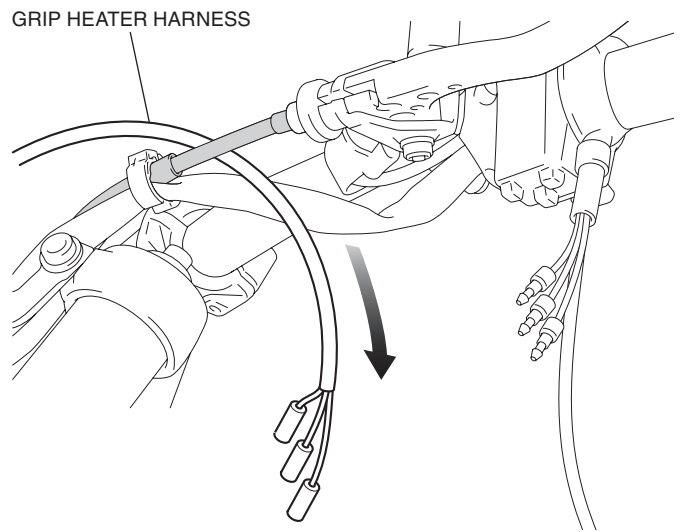



27. Route the grip heater harness as shown.

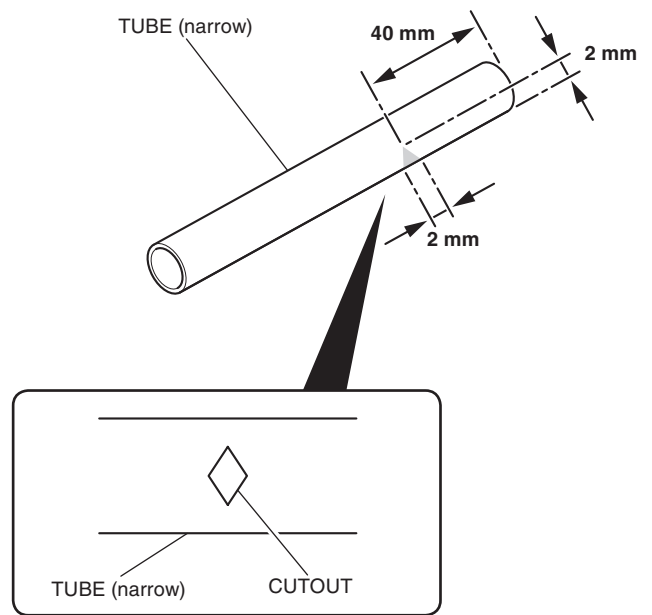


28. Route the grip heater harness as shown.

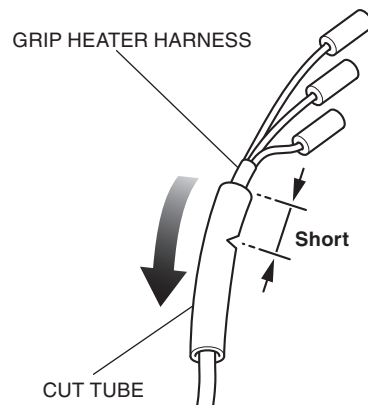
<Left side>



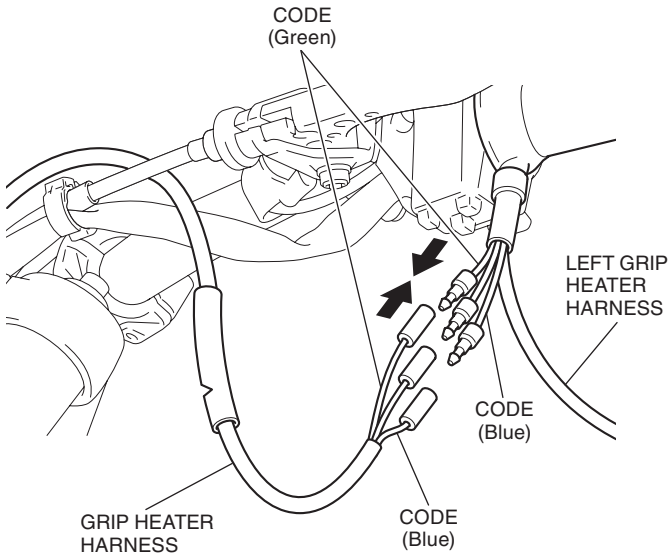
29. Cut the  area of the tube as shown.



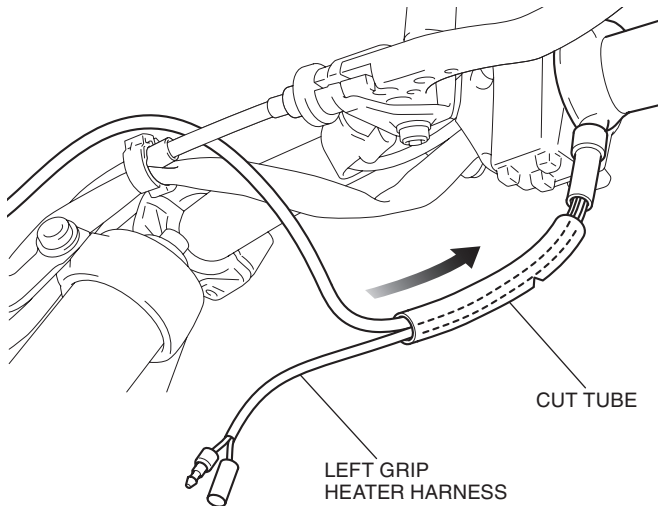
30. Pass the cut tube over the grip heater harness as shown.



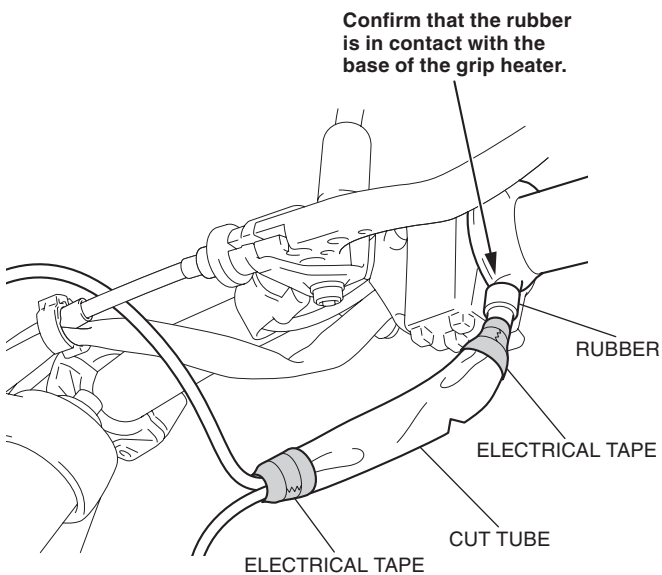
31. Connect the grip heater harness as shown.



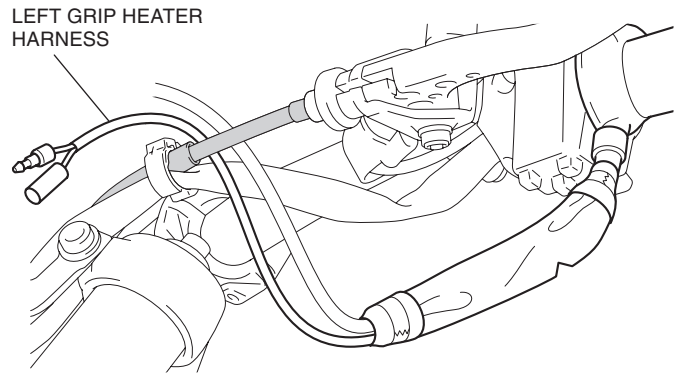
32. Slide the cut tube as shown.



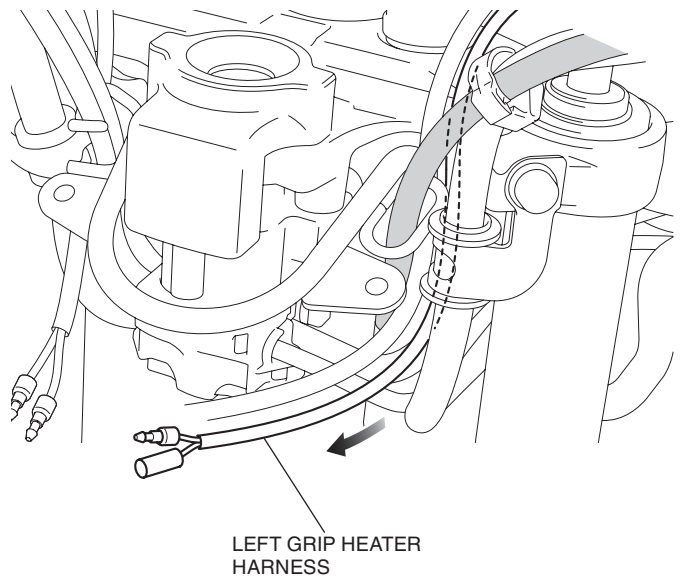
33. Secure the tube with electrical tapes as shown.



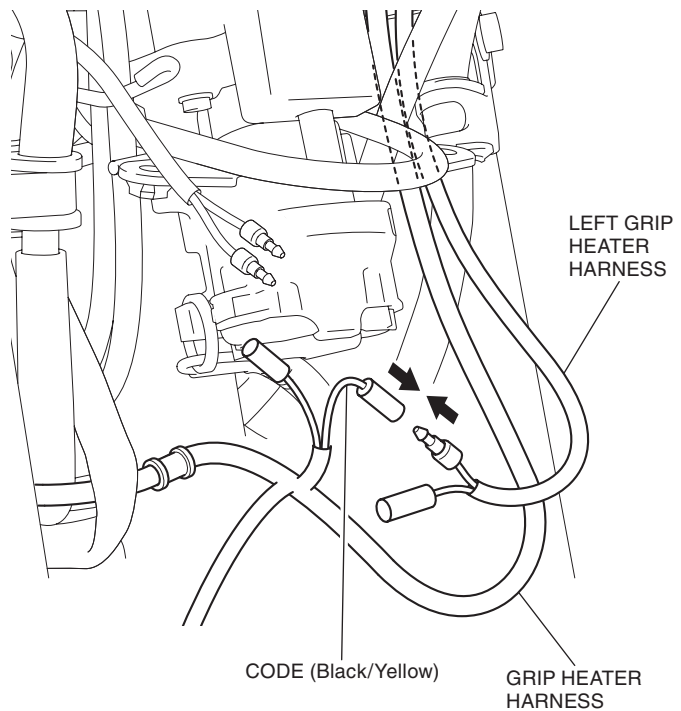
34. Route the left grip heater harness as shown.



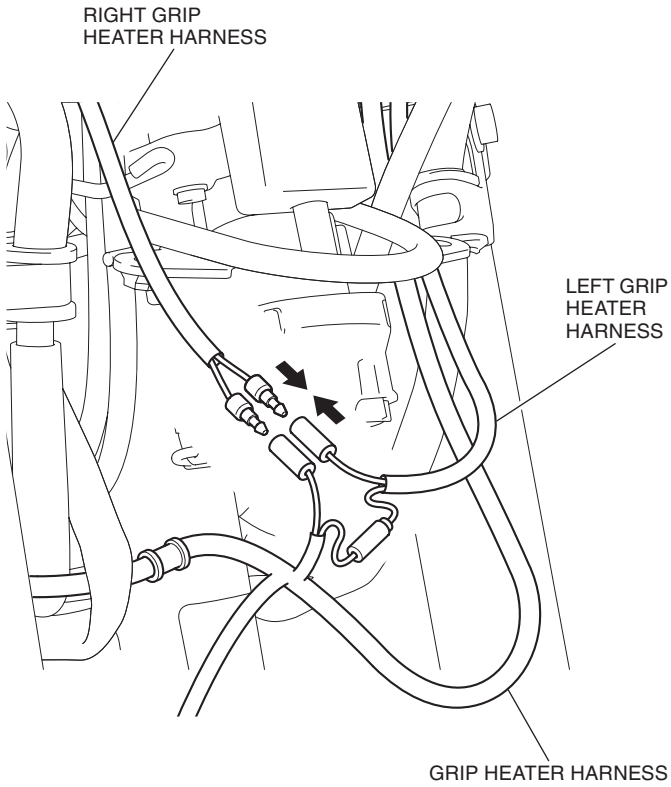
35. Route the left grip heater harness as shown.



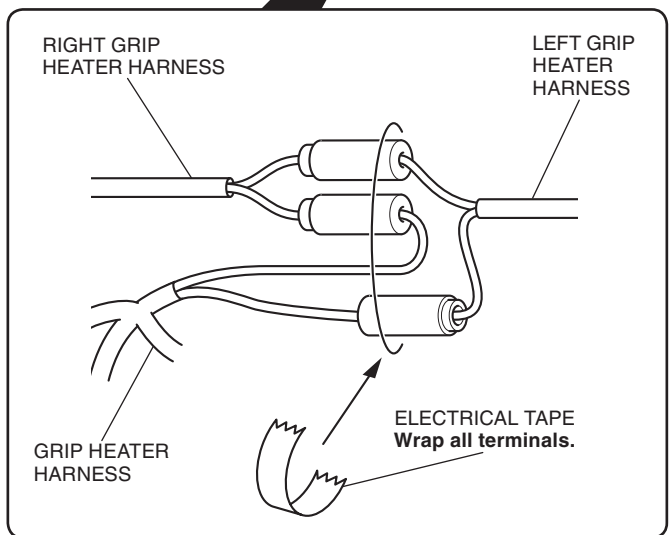
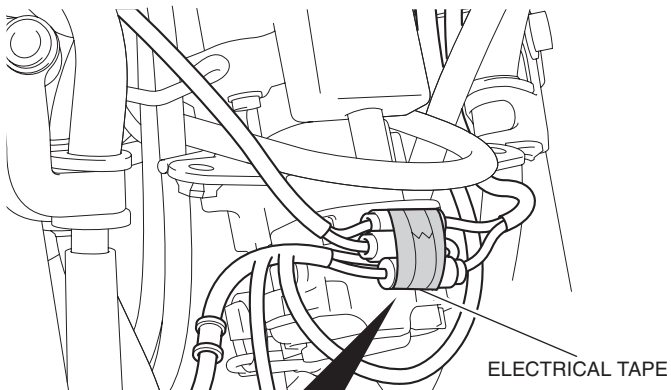
36. Connect the grip heater harness as shown.



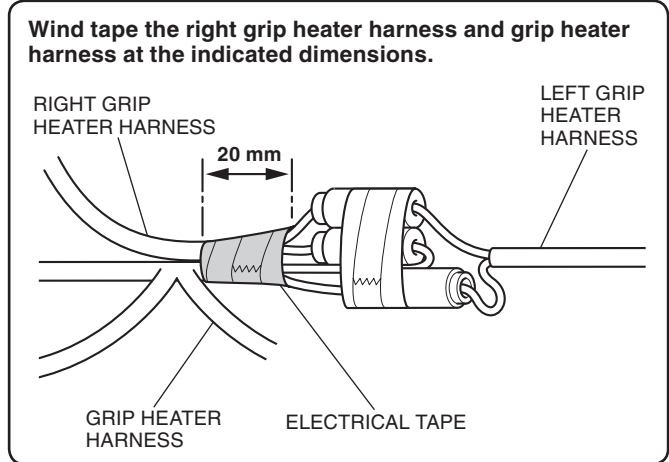
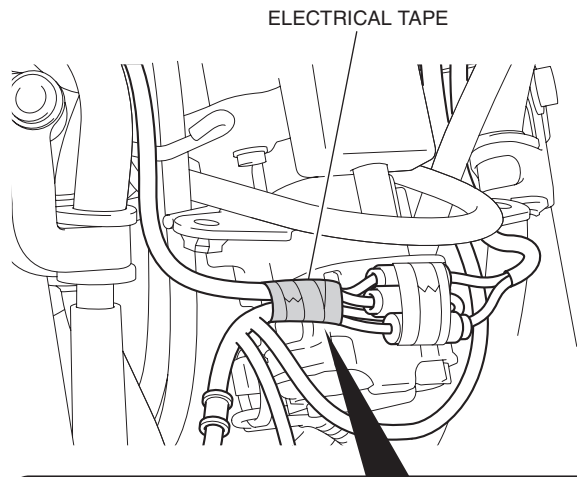
37. Connect the right grip heater harness as shown.



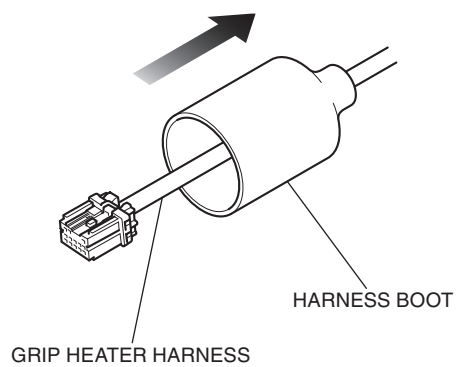
38. Wrap the connected terminal part with electrical tape as shown.



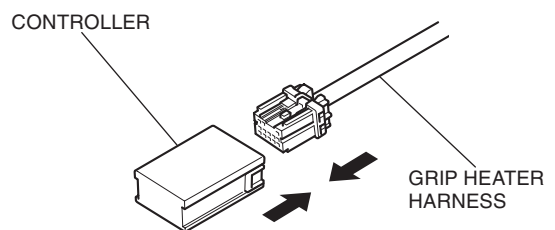
39. Wrap the right grip heater harness and grip heater harness with electrical tape as shown.



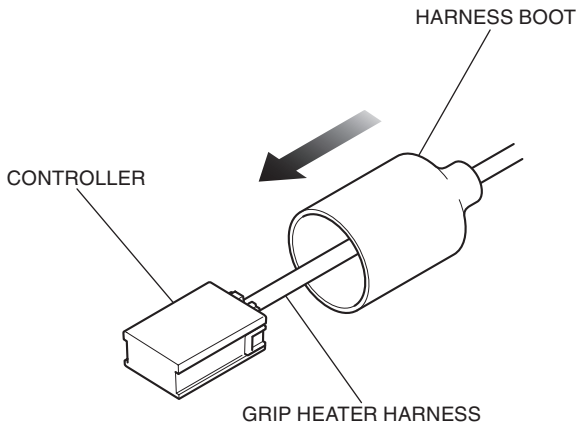
40. Pass the harness boot through the grip heater harness as shown.



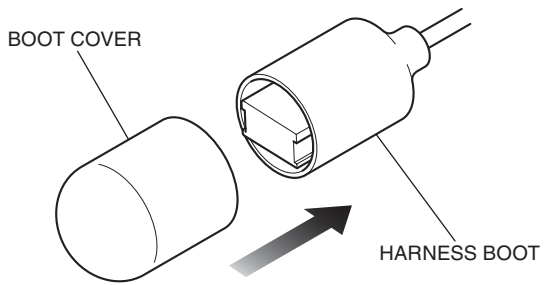
41. Connect the controller as shown.



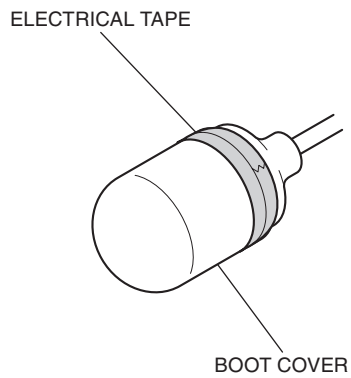
42. Fit the harness boot over the controller as shown.



43. Fit the boot cover over the harness boot as shown.



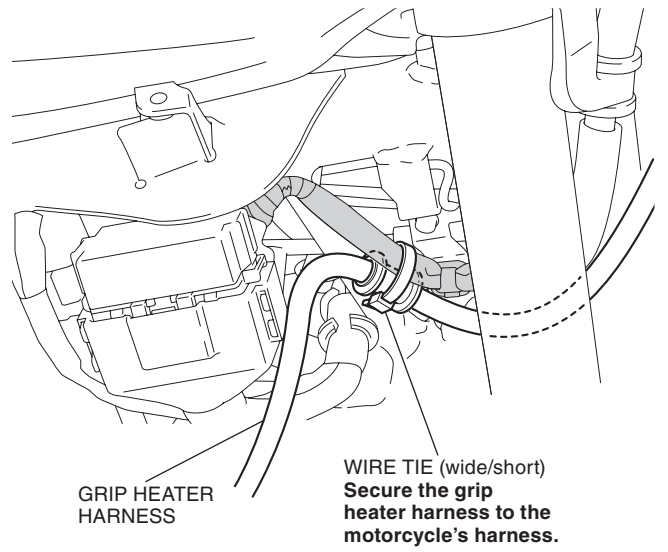
44. Secure the boot cover with electrical tape as shown.



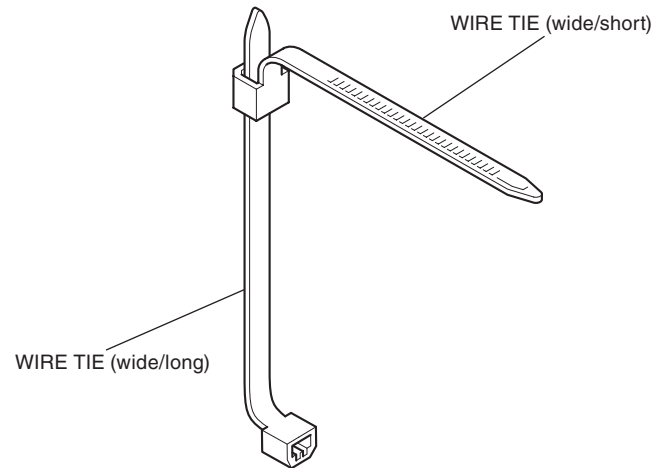
45. Secure the grip heater harness with the wire tie as shown.

- **Secure the grip heater harness to the underside of the motorcycle's harness.**

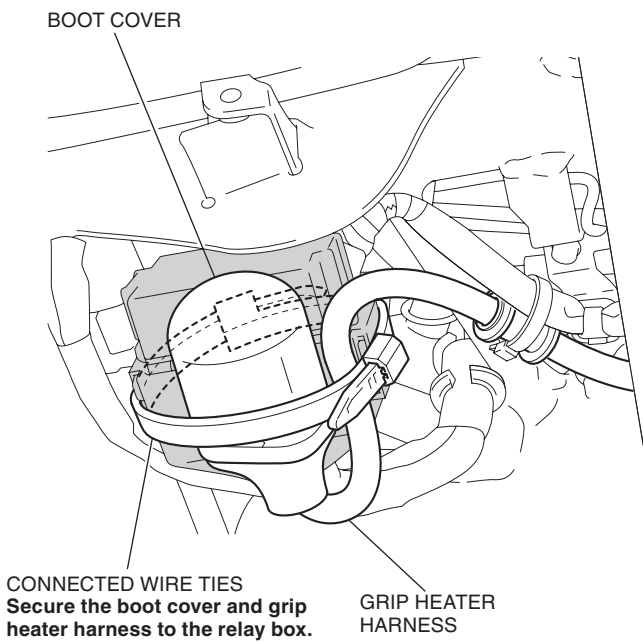
<Right side>



46. Connect two wire ties as shown.

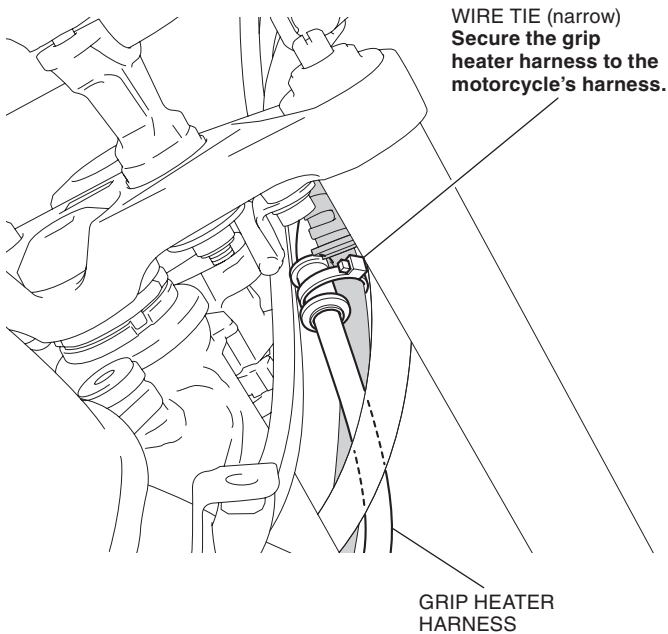


47. Secure the boot cover with the wire ties as shown.
- **Do not cut the excess wire tie ends.**



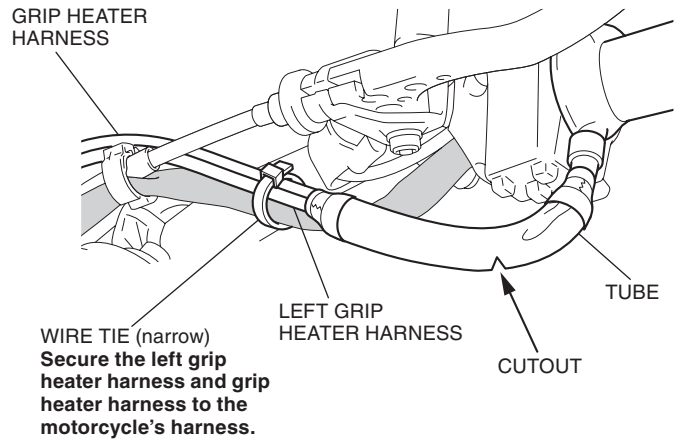
48. Secure the grip heater harness with the wire tie as shown.

<Right side>



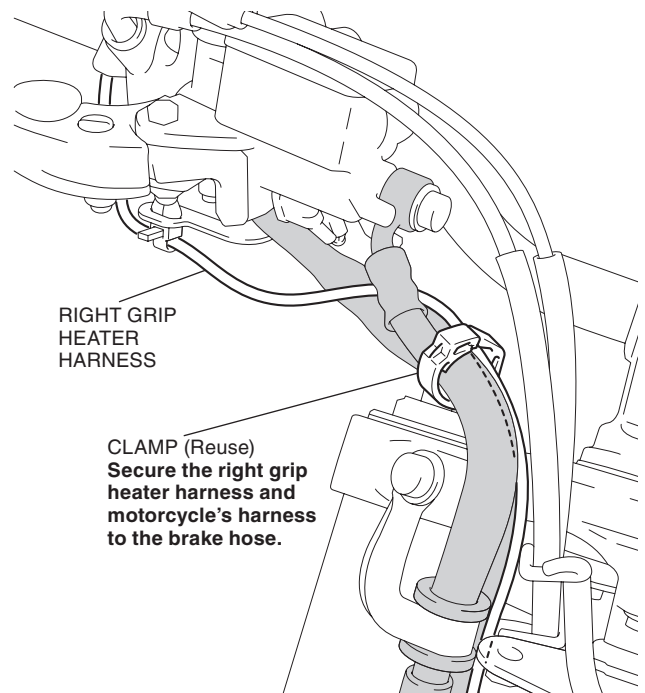
49. Secure the left grip heater harness and grip heater harness with the wire tie as shown.
- **Secure the tube with its cutout facing down as shown.**

<Left side>

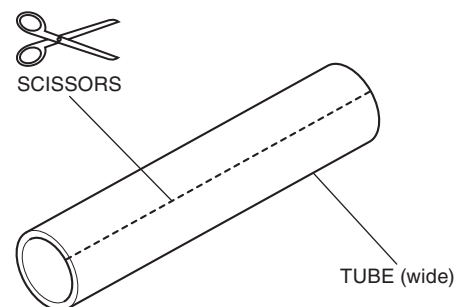


50. Secure the right grip heater harness with the clamp as shown.

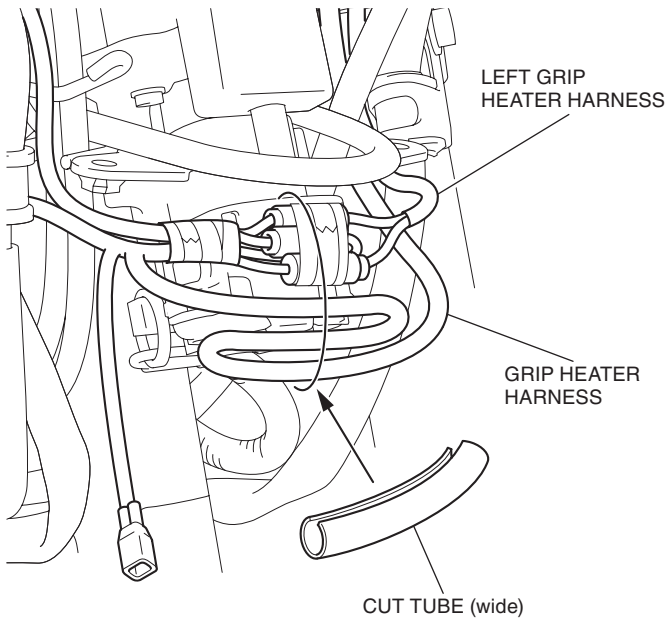
<Right side>



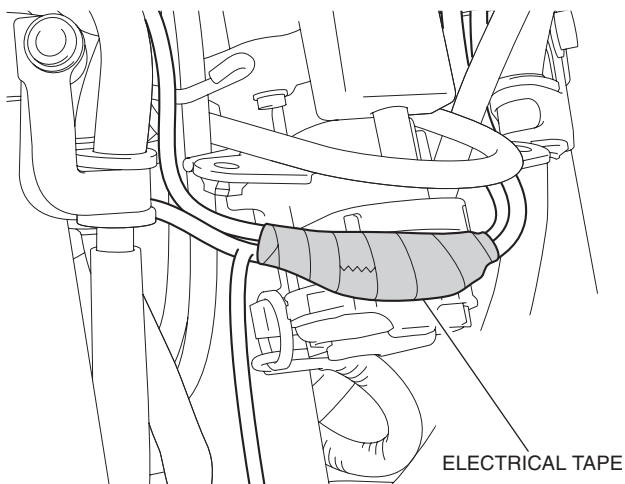
51. Cut the tube as shown.




52. Cover the harness with the cut tube as shown.

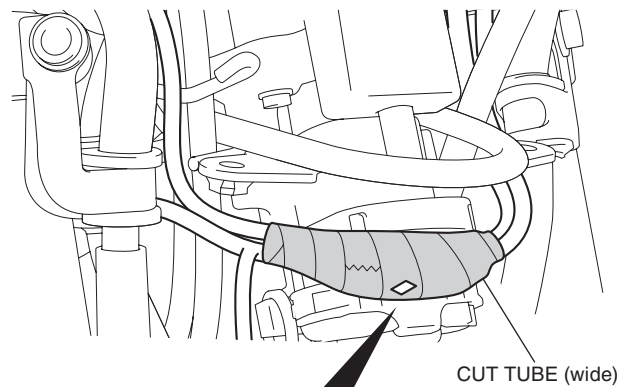



53. Secure the tube with electrical tapes as shown.

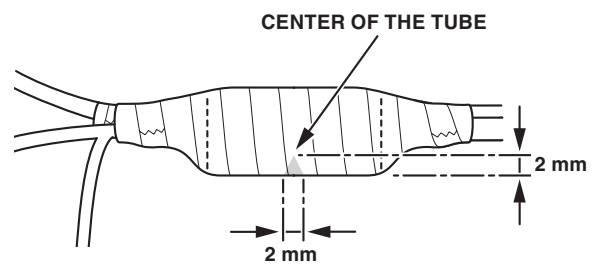


54. Cut the  area of the tube as shown.

- Be careful not to damage harnesses.

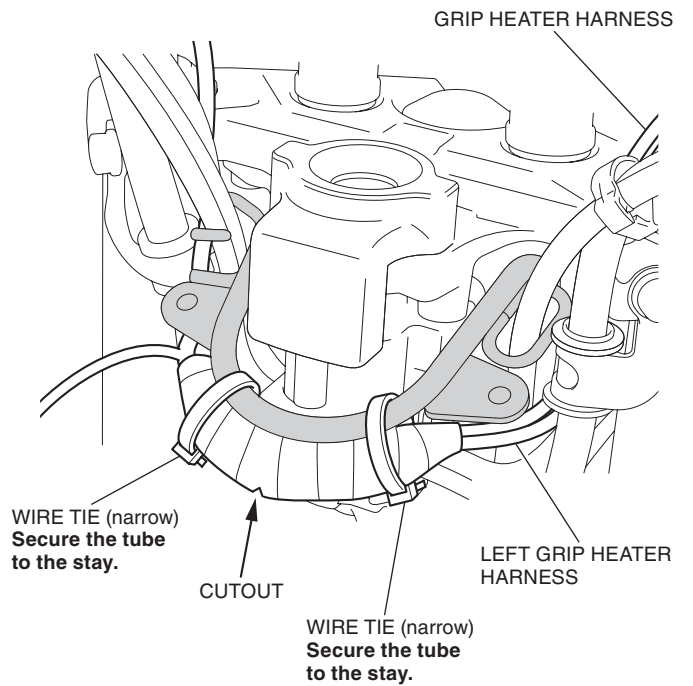


Cut the  area of the tube as shown.

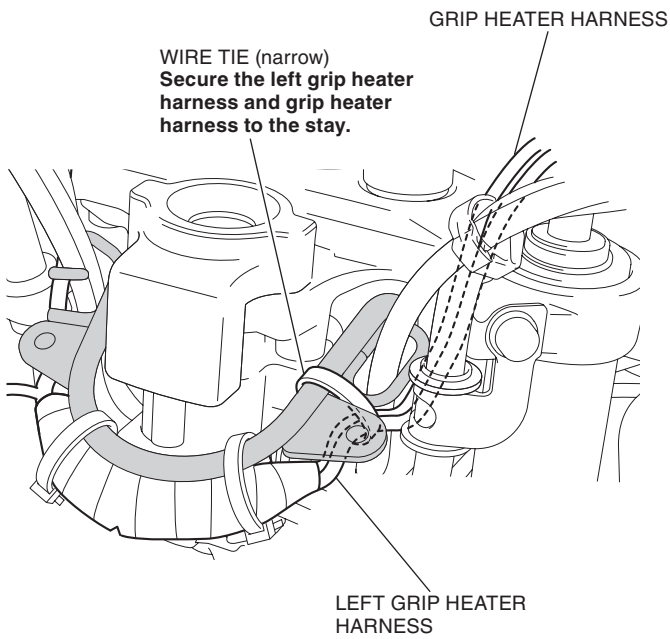


55. Secure the tube with the wire ties as shown.

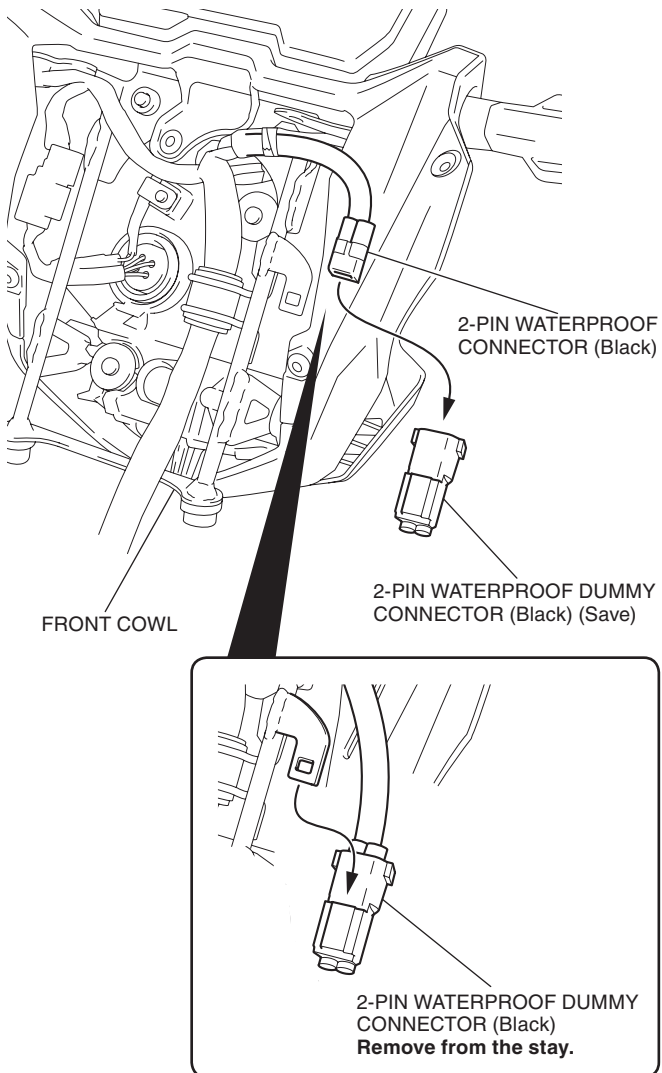
- Secure the tube with its cutout facing down as shown.



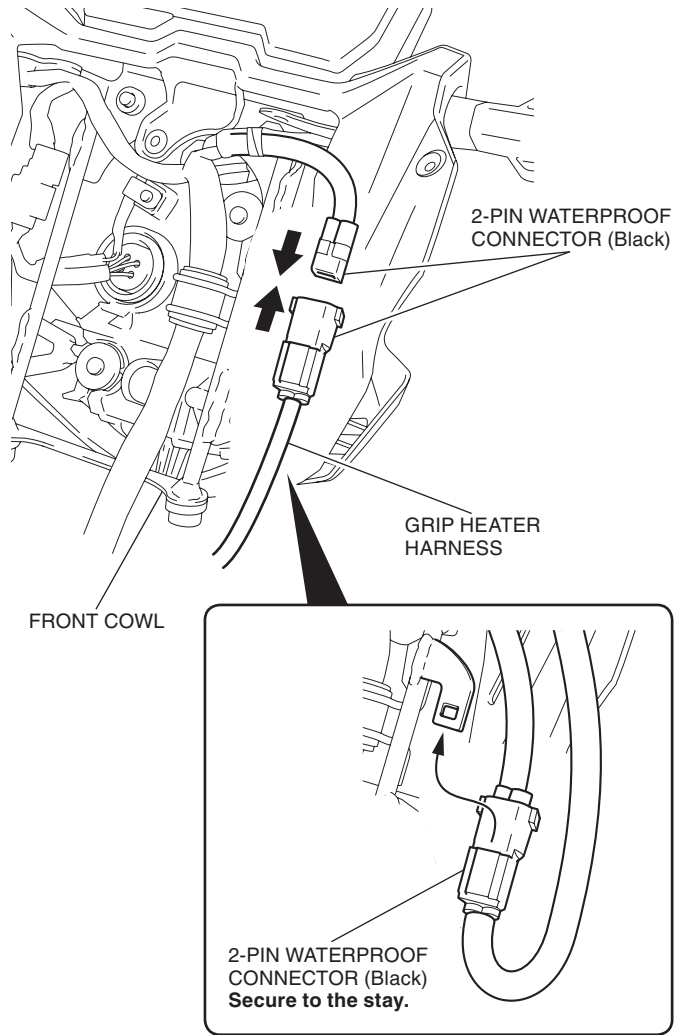
56. Secure the left grip heater harness and grip heater harness as shown.



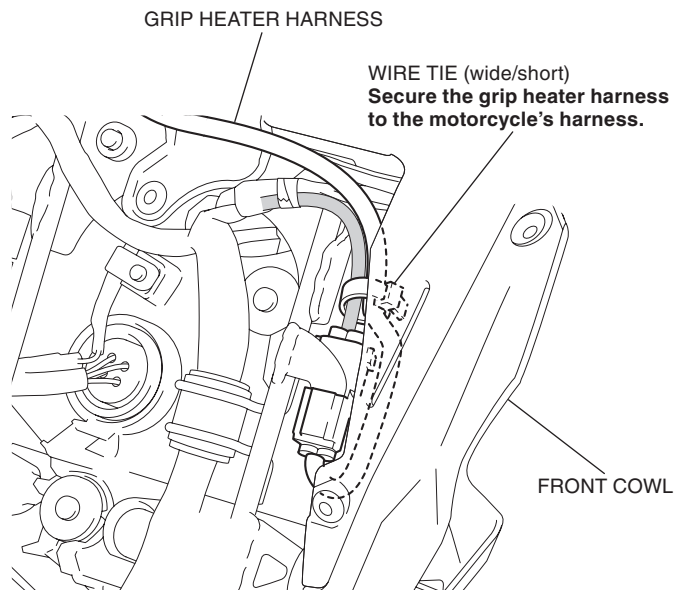
57. Remove the dummy connector as shown.



58. Connect the grip heater harness as shown.



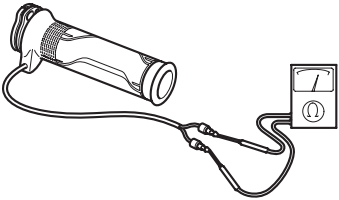
59. Secure the grip heater harness with the wire tie as shown.



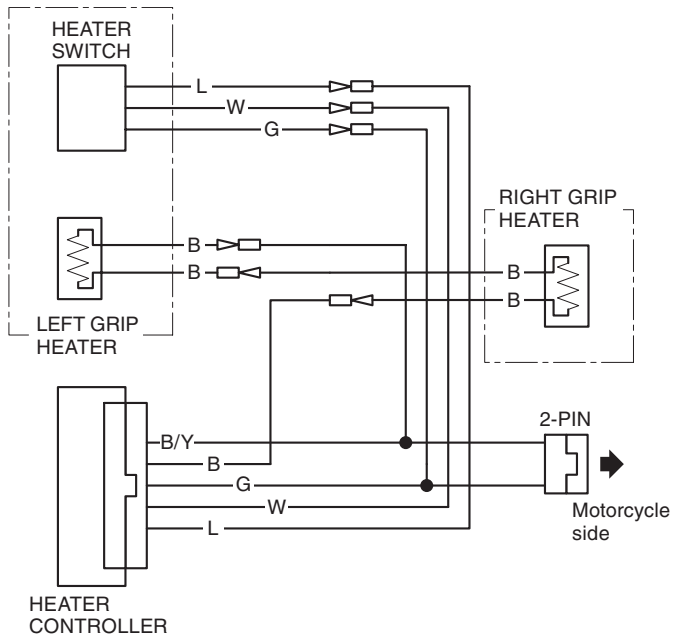
- 60. Install the front cowl in the reverse order of removal.
 - **Confirm that any harness is not caught or too tight.**
- 61. Install the motorcycle's parts in the reverse order of removal.
 - **Confirm that any harness is not caught or too tight.**
- 62. Check each harness for sufficient freeplay.
 - **Move the handlebar right and left and check that the harnesses are not pinched by the neighboring components and that they are not pulled taut.**
- 63. Check the grip heater, head light and the other lights for proper operation.

DEALER TROUBLESHOOTING

- Stop the engine and turn the main switch OFF when you check the parts and circuits other than those of the grip heaters.

Symptom	Check
Grip heater does not operate; <ul style="list-style-type: none"> • Faulty grip heater • Faulty grip heater coil • Blown fuse • Open or short circuit in heater harness • Faulty heater switch 	<ol style="list-style-type: none"> 1. Check whether wires and cables (terminals and connectors) are connected securely. 2. Grip heater inspection Check for resistance between the terminals. <ul style="list-style-type: none"> ➡ Standard: <ul style="list-style-type: none"> Right : 2.2 ohms +/- 10% Left : 2.2 ohms +/- 10%  <ol style="list-style-type: none"> 3. Heater harness inspection: Check for continuity by referring to the wiring diagram. 4. If no abnormality is found after the above checks 1, 2, and 3, but the grip heater still does not operate properly, replace the left grip heater/switch with a new one. <ul style="list-style-type: none"> • It is hard to check the switch in ordinary inspection method (for continuity etc.) because it contains an IC circuit.

SYSTEM DIAGRAM



- Identify wire colors :
- B : Black
 - L : Blue
 - G : Green
 - Y : Yellow
 - W : White

ご確認をお願いいたします。